

- a ODI Grip Handle
- b Quick Release
- c Base Plate
- d (2) ¼ – 20 x ¾  
Stainless Steel Screws
- e (1) ¼ – 20 x ⅝  
Stainless Steel Screw
- f (2) 10 – 32 x ⅝  
Stainless Steel Screws
- g ⅛" Allen Wrench
- h ⅝" Allen Wrench
- i Arm Bracket
- j Loctite®



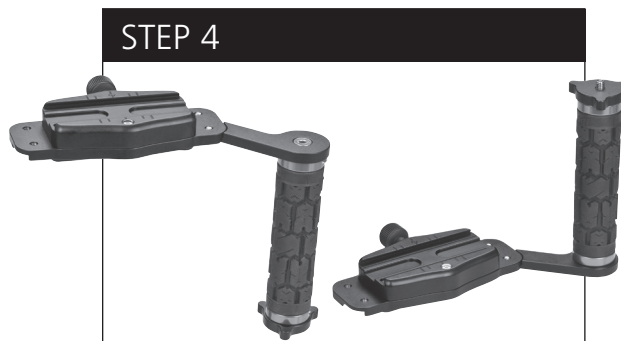
1. Determine the orientation of the **QUICK RELEASE TIGHTENING KNOB**. It can be mounted either direction.



2. Apply **LOCTITE®** to the **(2) ¼ – 20 X ¾ FLAT HEAD ALLEN SCREWS**, insert into the bottom of the base and tighten.



3. Attach **ARM BRACKET (i)** to the bottom of the **BASE PLATE (c)** with **(2) 10 – 32 x ⅝" STAINLESS STEEL SCREWS (f)** and tighten with supplied ⅛" **ALLEN WRENCH (g)**



4. Determine the position of the handle, top or bottom mount.



5. Insert ¼ – 20 X ⅝ **FLAT HEAD SCREW** and tighten. *Do not use Loctite®.*



www.kirkphoto.com  
800.626.5074 • 260.665.3670  
333 Hoosier Drive,  
Angola, IN 46703-9336